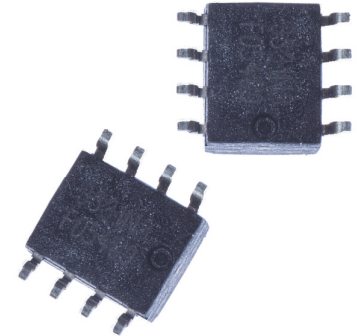


GAS PRESSURE SENSOR FOR ABSOLUTE TYPE MEASUREMENT IN S08

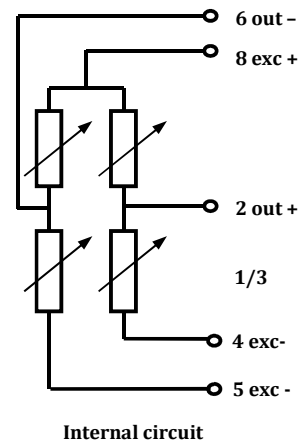
The SPD100ABsmd8 series SPD Absolute Pressure sensors are designed for gas pressure sensitive applications and are encapsulated in a miniature Smd8-pins package. This sensor provides a low-cost solution for high volume applications. Due to automatic production price is very low and nearby the price of a bare die without the need for the customer to handle dies by bonding, etc. Other pressure ranges on request available.



Electrical Characteristics

(measured @5V exc. voltage and 25 °C, with nitrogen)

| Parameter | Min | Typ | Max | Units |
|---------------------------------|-------|-------|-------|------------|
| Excitation Voltage | | 5 | | V |
| Excitation Current | - | 1 | | mA |
| Pressure range(N ₂) | 0 | | 100 | psi |
| Span (@100 PSI) | 70 | 100 | 130 | mV |
| Offset | -30 | | 30 | mV |
| Temp Coeff. Span 1) | -17,5 | -19,5 | -21,5 | %FS/100 °C |
| Temp Coeff. Offset 1) | -7 | | 7 | %FS/100 °C |
| Linearity 2) | | ±0,1 | | %FS |
| Bridge impedance | 4 | 5 | 6 | KΩ |
| Operating temperature | -40 | | 125 | °C |
| Storage temperature | -50 | | 135 | °C |
| Over pressure | | | 3x | FS |



- 1) Temperature coefficient measured between 0 to 50 °C
- 2) Measured Best Fit Straight Line

