

# DATASHEET

## SPD005GAsmd Pressure Sensor

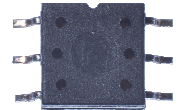
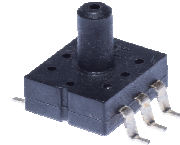
last update  
oktober 5, 2016

reference  
spd005gasmd n

page  
1/1

This Smartec pressure sensor has an amplified analogue output. The sensor is compensated for offset, sensitivity, temperature drift and nonlinearity.

The sensor is available in the range from 5 to 100 psi. Other ranges on request. Available in Gauge and Absolute type. The output is ratiometric to the power supply voltage. @ 5 V power voltage the output span is 0.5 to 4.5 V. The SPD analogue series can be considered as an "analogue" successor of the SPD series.



### Electrical Characteristics

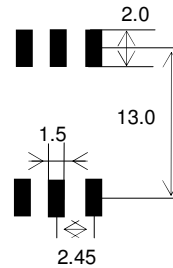
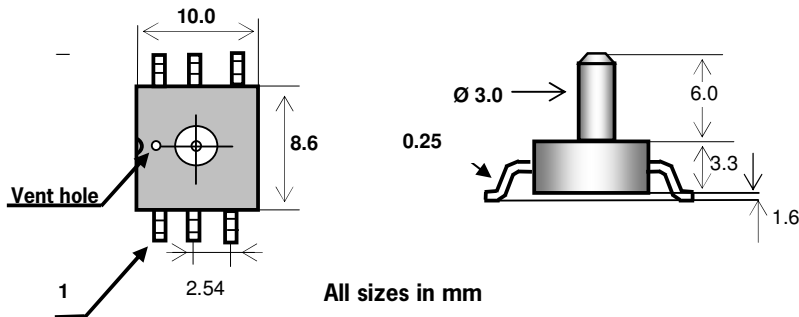
Performance Characteristic at Vcc =5V excitation @ 25 °C.

Parameter	Min	Typ	Max	Units
Supply Voltage	4.75	5	5.5	V
Supply Current			3	mA
Pressure range (fs)	0		5	psi
Zero Output *)	0.428	0.5	0.572	Vdc
Span Output *)		4.00		Vdc
Max output current			1	mA
Accuracy **)			±1.8	%FS
Response time		1	2	Ms
Pressure overload			3x	Rating
Operating temperature	-20		85	°C
Storage temperature	-40		125	°C

Wetted materials are: Pyrex Glass, Epoxy and silicon

\*) Output is ratiometric to supply voltage

\*\*) all errors included, temperature compensation over 50 °C



Pin Description

1	NC
2	Vcc
3	GND
4	Vcc
5	Out
6	GND

Do NOT connect NC pins  
Apply 100nF between Vcc  
and Gnd.