

DATASHEET

SPD015AAT005 Pressure Sensor

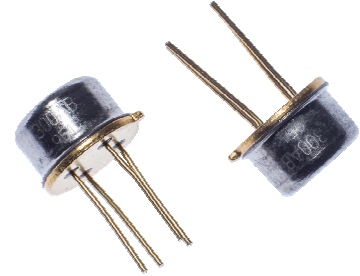
last update
oktober 4, 2016

reference
spd015aato05 n

page
1/1

A 15 PSI ABSOLUTE PRESSURE SENSOR FOR ATMOSPHERIC PRESSURE MEASUREMENT

This 1 bar absolute pressure sensor is specially designed for measuring the pressure of the atmosphere. By means of an analogue output connection to other systems is very easy.
The TO5 metal can encapsulation is especially suited for mounting in a ruggedized brass fitting.

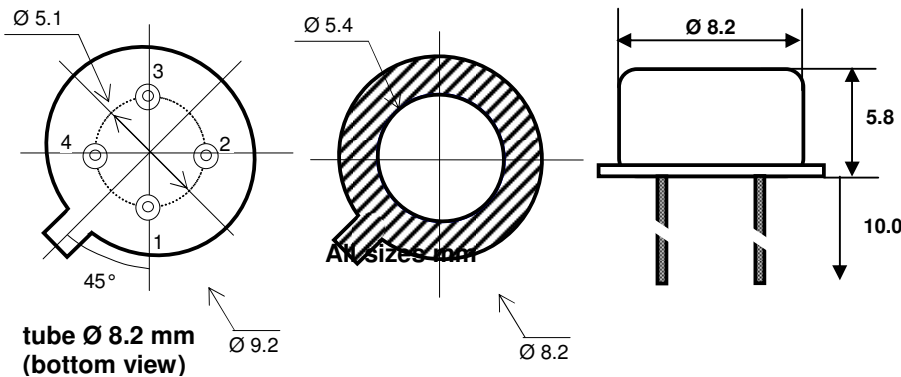


Electrical Characteristics

Characteristic @ Vcc = 5V and 25 °C

| Parameter | Min | Typ | Max | Units. |
|-----------------------|-------|------|-------|----------|
| Excitation Voltage | 4,75 | 5.00 | 5.25 | V |
| Excitation Current | - | 2.5 | | mA |
| Pressure range | 15 | | 102 | kPa |
| Zero output (15 kPa) | 0.428 | 0.5 | 0.572 | V |
| Span output (102 kPa) | | 4.0 | | V |
| Accuracy | | | 1.8 | %FS |
| Linearity | -0,5 | | 0,5 | %FS |
| Thermal hysteresis | -0,15 | | 0,15 | %FS |
| response time | | 1 | 2 | ms |
| Over pressure | | | 3X | Rated FS |
| temp compensating | 15 | | 70 | °C |
| Operating Temp | -20 | | 100 | °C |
| Storage temp. | -40 | | 125 | °C |

- Wetted materials are: nickel, silicon, RTV, gold and glass
- Other pressure ranges on request
- Output is ratiometric to the Vcc supply voltage



| Pin | Description |
|-----|-------------|
| 1 | Vcc |
| 2 | Gnd |
| 3 | Gnd |
| 4 | Out |

- Header must be left floating
- A 0.1 µf capacitor must be connected between Vcc and Gnd